

1

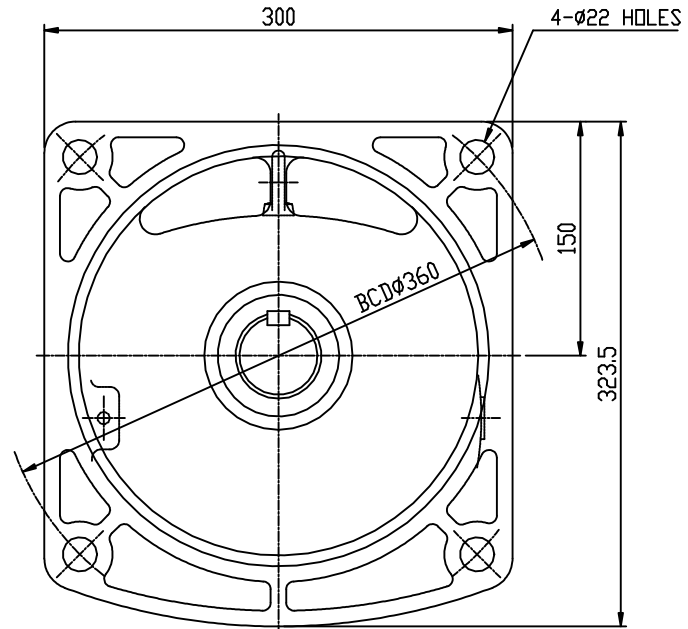
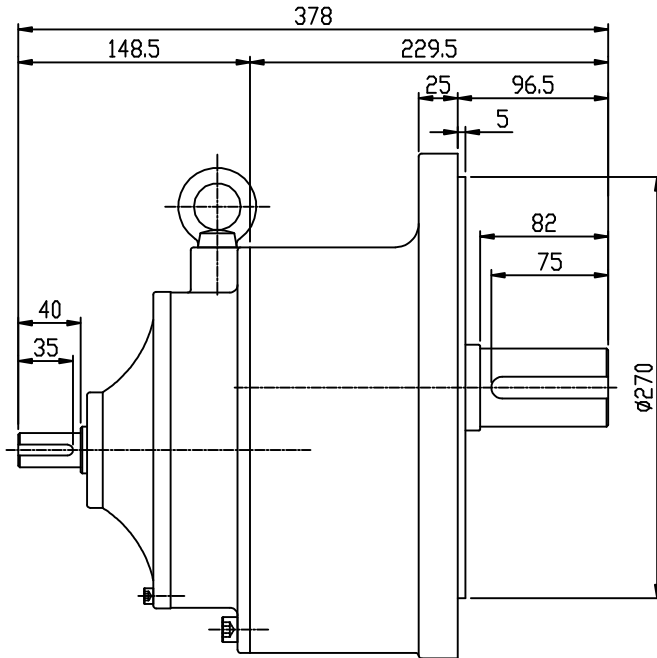
2

3

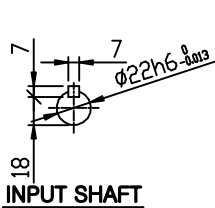
4

DWG. NO.

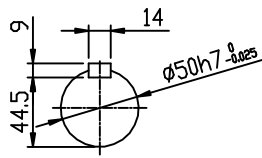
REV	ZONE	DESCRIPTIONS	DRAWN	APPRVD	DATE



- M5*0.8
- M6* 1
- M8*1.25
- M10*1.5
- M12*1.75
- M16* 2
- M18*2.5
- M20*2.5
- M22*2.5
- M24*3



INPUT SHAFT



OUTPUT SHAFT

표기외 일반 공차	
각도 : ±0.2°	6 - 30 : ±0.1
CHAMFER: C1.0	30 - 120 : ±0.15
FILLET: R1.0	120 - 315 : ±0.2
마무리: ▽	315 - 1000 : ±0.3
	1000 이상 : ±0.5

NO	PART NUMBER	DESCRIPTIONS	QTY	MATERIAL

NAME	DATE	SCALE	TITLE	SHEET
한창식	08.04.30	1/3.5	MAX GEARED MOTOR M2-172 OUTLINE	1/1
CHECKED		DWG SIZE	DWG. NO.	REV
APPROVED		A3	M2172VT22075L	

SAMYANG
REDUCTION GEARS CO., LTD

1

2

3

4

