

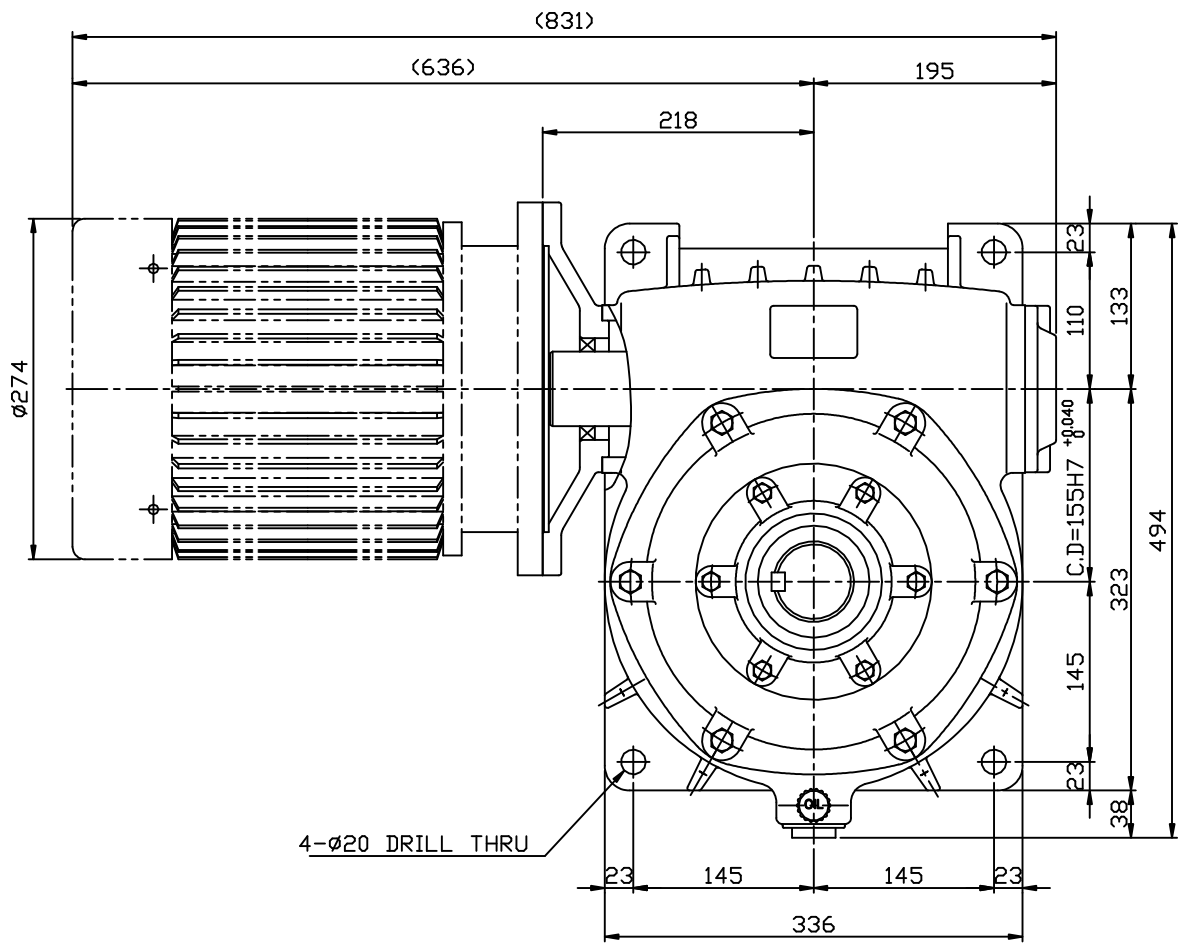
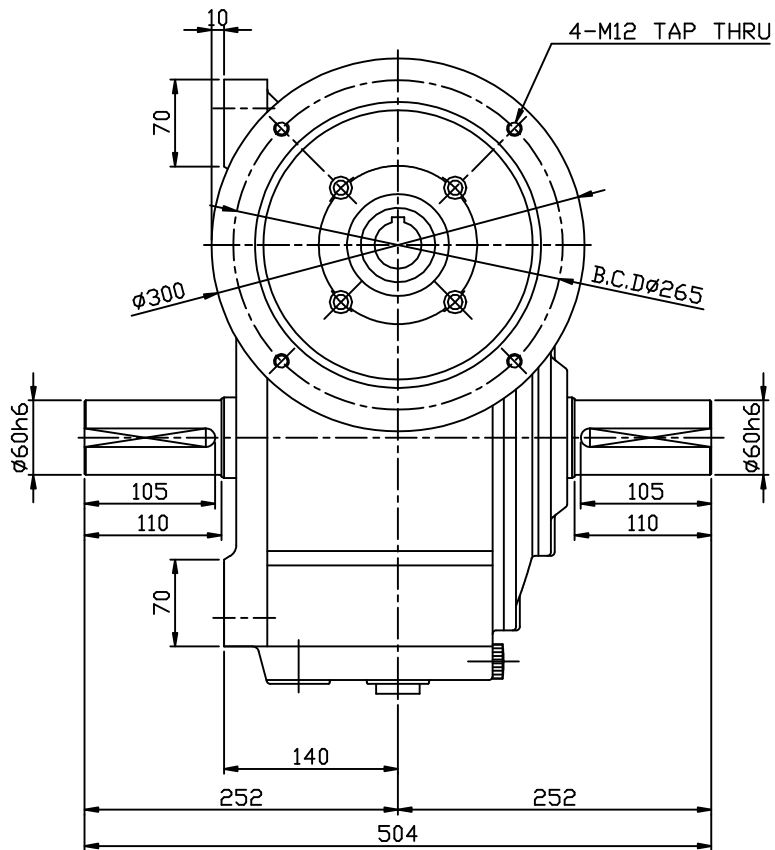
1

2

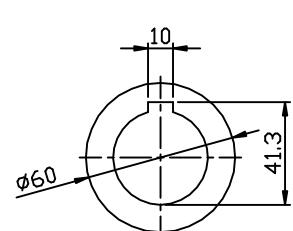
3

4

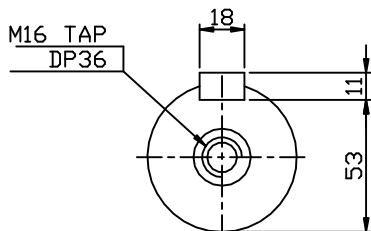
DWG. NO.



- M5*0.8
- M6* 1
- M8*1.25
- M10*1.5
- M12*1.75
- M16* 2
- M18*2.5
- M20*2.5
- M22*2.5
- M24*3



INPUT SHAFT



OUTPUT SHAFT

NO		PART NO.	DESCRIPTION	Q'TY	MATERIAL
DESIGN	DATE	NAME	SCALE	TITLE	
CHECK	99.10.06	Y.N.KIM	1/1	OUTLINE DWG.	
APPROV				MAX21 WORM REDUCER WVM155	
				10HP $i=1/10\sim 1/30$ F-TYPE	
DWG SIZE			DWG. NO.	REV	
A3			WVM155_10F		

SAMYANG
REDUCTION GEARS CO., LTD

1

2

3

4