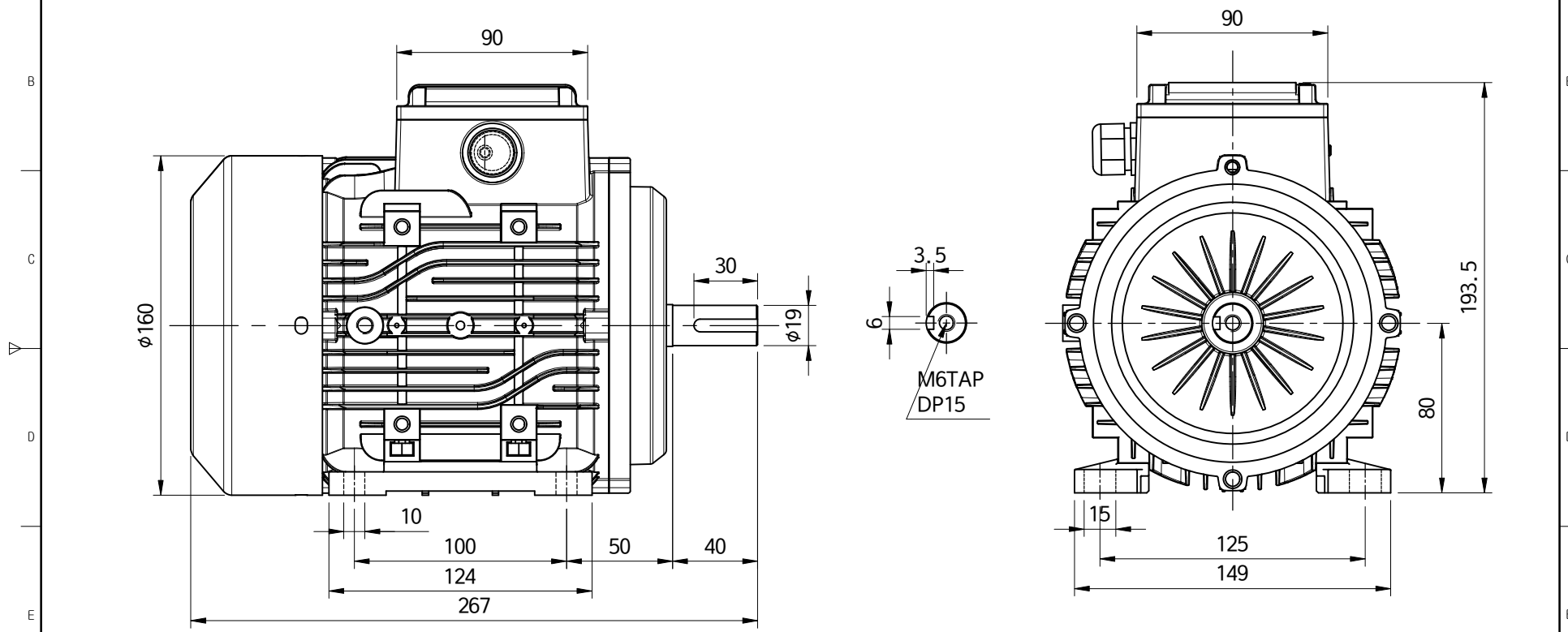


CUSTOMER
IE1 3Ø 0.4KW(0.5HP) 6P B3

No.	Description of Revision	Date	Name	Approval
△ X				

2023.02.01



※ NOTE ※
1. 케이블 그랜드 : PG13.5

DRAWING	KIM S.C	DATE	2023.02.01	3RD ANGLE PROJECTION	Title	B3 3Ø 0.5HP 6P	
DESIGNED					Drawing No.	IE1 B3-300.56A	
CHECKED		SCALE	UNIT	SHEET			
APPROVED		1/1	MM	1 / 1	Model No.	IKM-046P	
						REV.	0

IK IK ELECTRIC CO., LTD. Model No. IKM-046P
This drawing contains information that is proprietary to IK Electric Co.,Ltd
And should not be used without written permission.