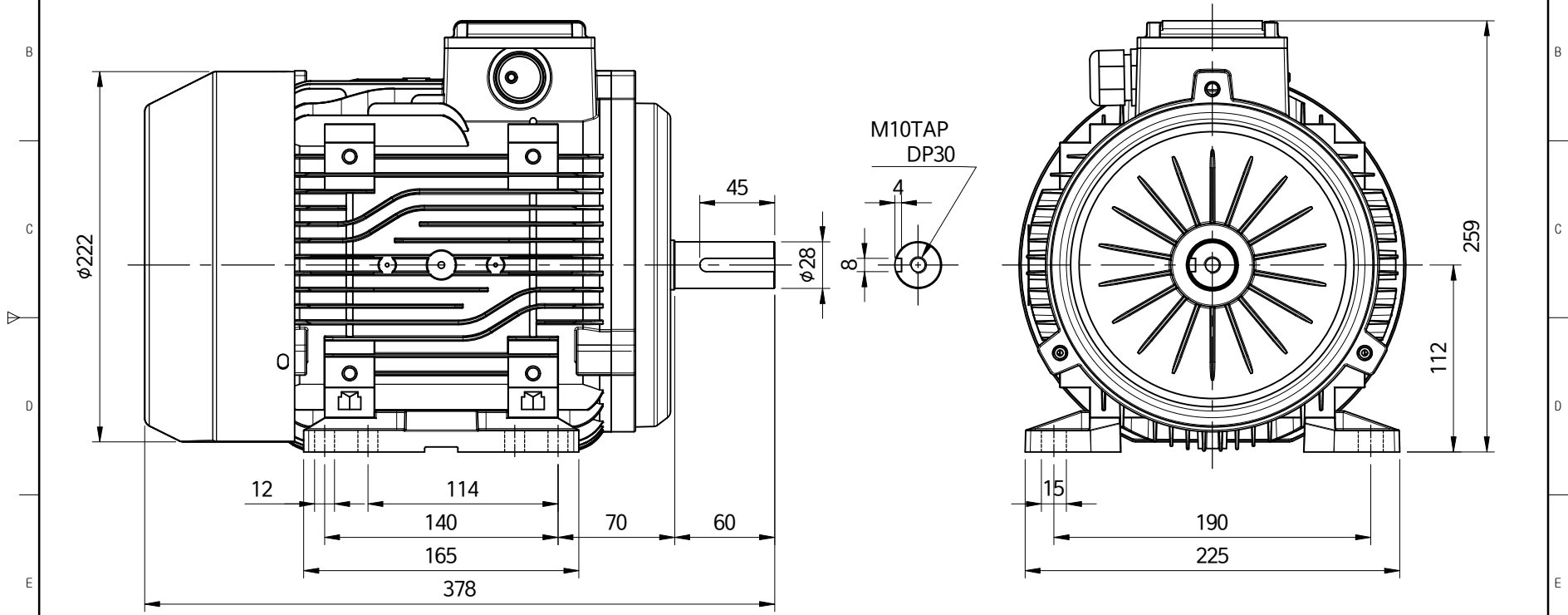


CUSTOMER  
IE3 3Ø 2.2KW(3HP) 6P B3

No.	Description of Revision	Date	Name	Approval
△ X				

2024.09.12



※Note※  
1. 케이블그랜드 PG21

DRAWING	KIM S. C	DATE	2024.09.12	3RD ANGLE PROJECTION	Title
DESIGNED					B3 3Ø 3HP 6P Premium
CHECKED		SCALE	1/1	SHEET	Drawing No.
APPROVED		UNIT	MM	1 / 1	IE3 B3-303.06A
IK ELECTRIC CO., LTD.					Model No.
					IKM-226P
					REV.
					0

This drawing contains information that is proprietary to IK Electric Co.,Ltd  
And should not be used without written permission.

A4