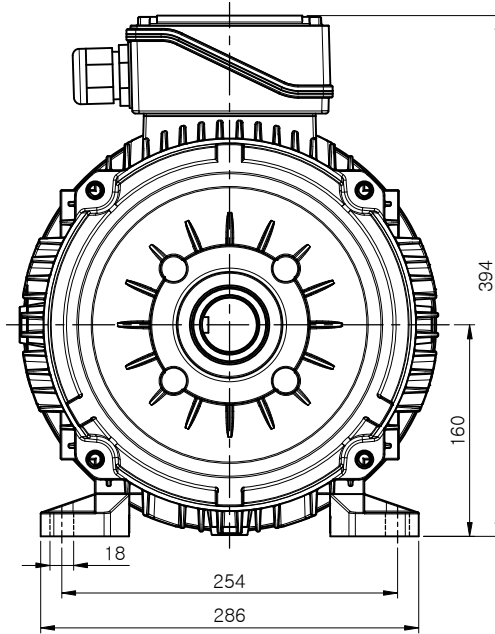
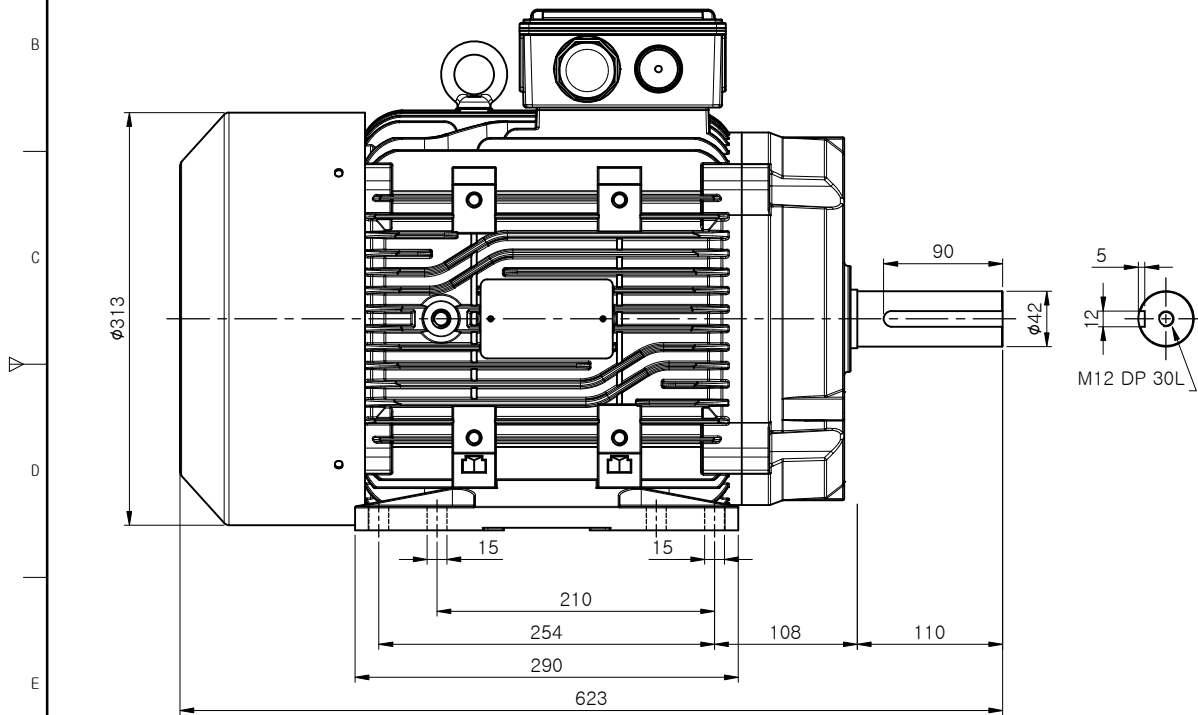


CUSTOMER  
3Ø 7.5KW(10HP) 6P B3

No.	Description of Revision	Date	Name	Approval
△ X				

2023.02.06



※NOTE※  
1. 케이블그랜드: PG29

DRAWING	KIM S. C	DATE	2023.02.05	3RD ANGLE PROJECTION	Title	B3-3Ø 10HP 6P Premium	
DESIGNED					Drawing No.	IE3 B3-310.06A	
CHECKED		SCALE	1/1	UNIT	MM	SHEET	1 / 1
APPROVED					Model No.	IKM-756P	
					REV.	0	

This drawing contains information that is proprietary to IK ELECTRIC Co.,Ltd  
And should not be used without written permission.

A4